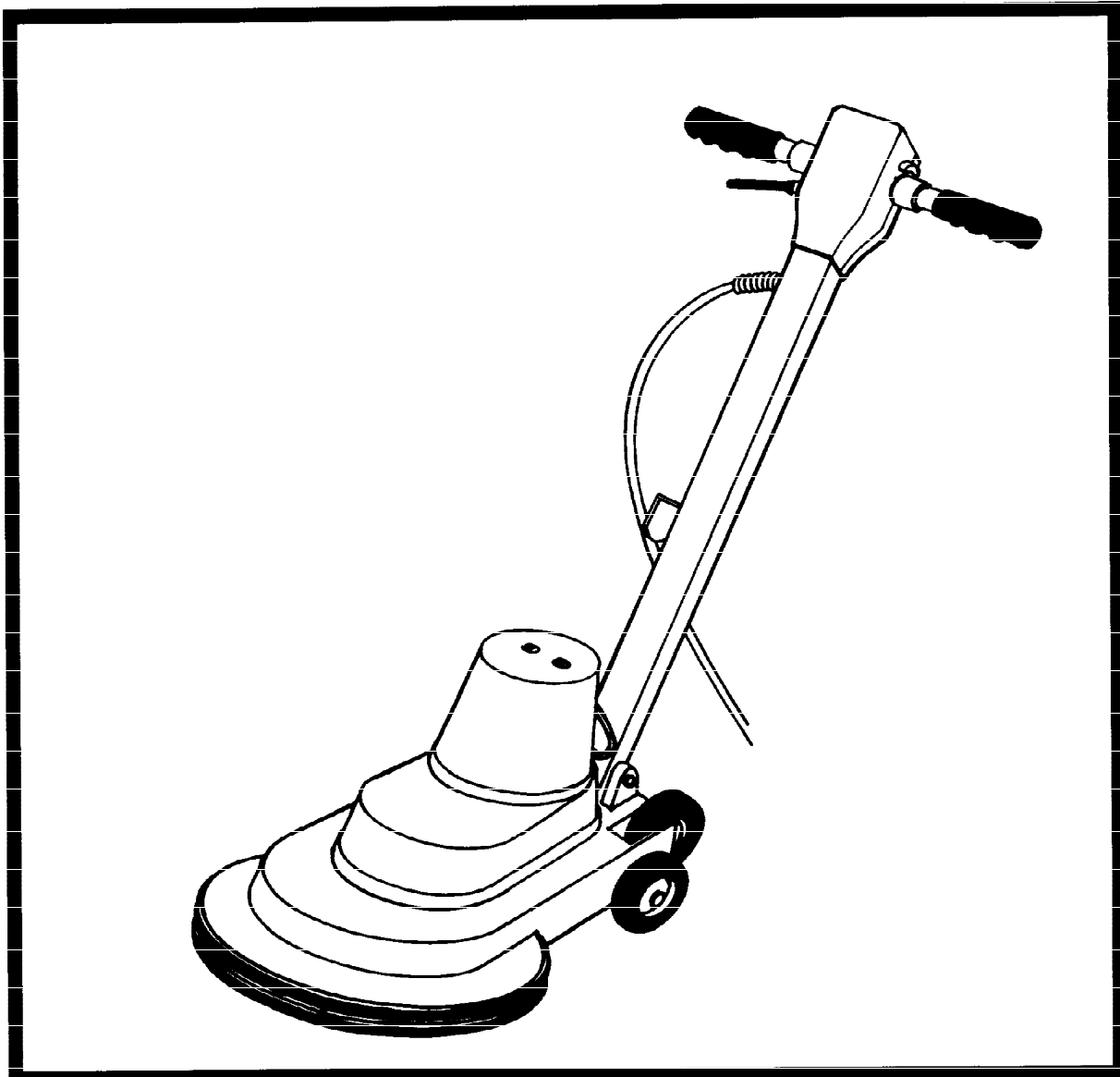


**1500
Minuteman
Electric Burnisher**

**Model: M20150-00
M20140-01**

■ OPERATION ■ SERVICE ■ PARTS ■ CARE



Revised 3/94

Minuteman[®]

FOR COMMERCIAL USE ONLY

IMPORTANT SAFETY INSTRUCTIONS

When using an electrical appliance, basic precautions should always be followed, including the following:

READ ALL INSTRUCTIONS BEFORE USING

WARNING - To reduce the risk of fire, electric shock, or injury:

- Do not leave appliance when plugged in. Unplug from outlet when not in use and before servicing.

WARNING

To reduce the risk of electric shock - Do not expose to rain. Store indoors.

- Do not allow to be used as a toy. Close attention is necessary when used by or near children.
- Use only as described in this manual. Use only manufacturer's recommended attachments.
- Do not use with damaged cord or plug. If appliance is not working as it should, has been dropped, damaged, left outdoors, or dropped into water, return it to a service center.
- Do not pull or carry by cord, use cord as a handle, close a door on cord, or pull cord around sharp edges or corners. Do not run appliance over cord. Keep cord away from heated surfaces.
- Do not unplug by pulling on cord. To unplug, grasp the plug, not the cord.
- Do not handle plug or appliance with wet hands.
- Do not put any object into openings. Do not use with any opening blocked; keep free of dust, lint, hair, and anything that may reduce air flow.
- Keep hair, loose clothing, fingers, and all parts of body away from openings and moving parts.
- Do not pick up anything that is burning or smoking, such as cigarettes, matches, or hot ashes.
- Do not use without dust-bag and/or filters in place.
- Turn off all controls before unplugging.
- Use extra care when cleaning on stairs.
- Do not use to pick up flammable or combustible liquids such as gasoline or use in areas where they may be present.
- Connect to a properly grounded outlet only. See grounding instructions.

SAVE THESE INSTRUCTIONS

OPERATING INSTRUCTIONS

INSPECTION

Carefully unpack and inspect your floor machine for shipping damage. Each unit is tested and thoroughly inspected before shipment, and any damage is the responsibility of the delivery carrier who should be notified immediately.

WARNING

- Read instruction Manual before operating this piece of equipment.
- To reduce the risk of fire use only commercially available floor cleaners and waxes intended for machine application.
- Risk of explosion. Floor sanding can result in an explosive mixture of fine dust and air. Use floor sanding machine in well ventilated area.
- Electrical motors and components can cause an explosion when operated near volatile materials and vapors.

ELECTRICAL - 115 Volt

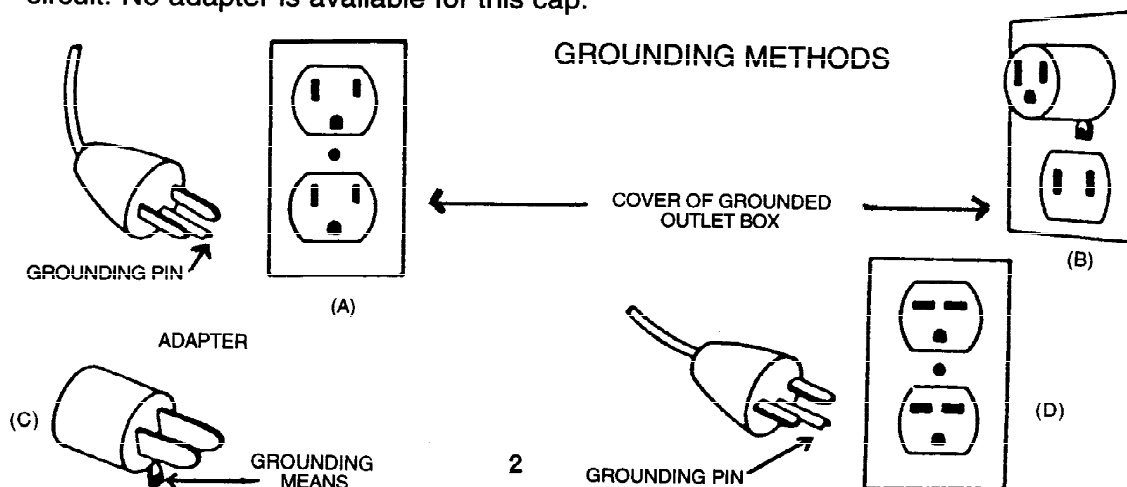
This floor machine is designed to operate on a standard 15 amp. 115 volt, 60 hz, AC circuit. Voltages below 105 volt AC or above 125 volts AC could cause serious damage to the motor.

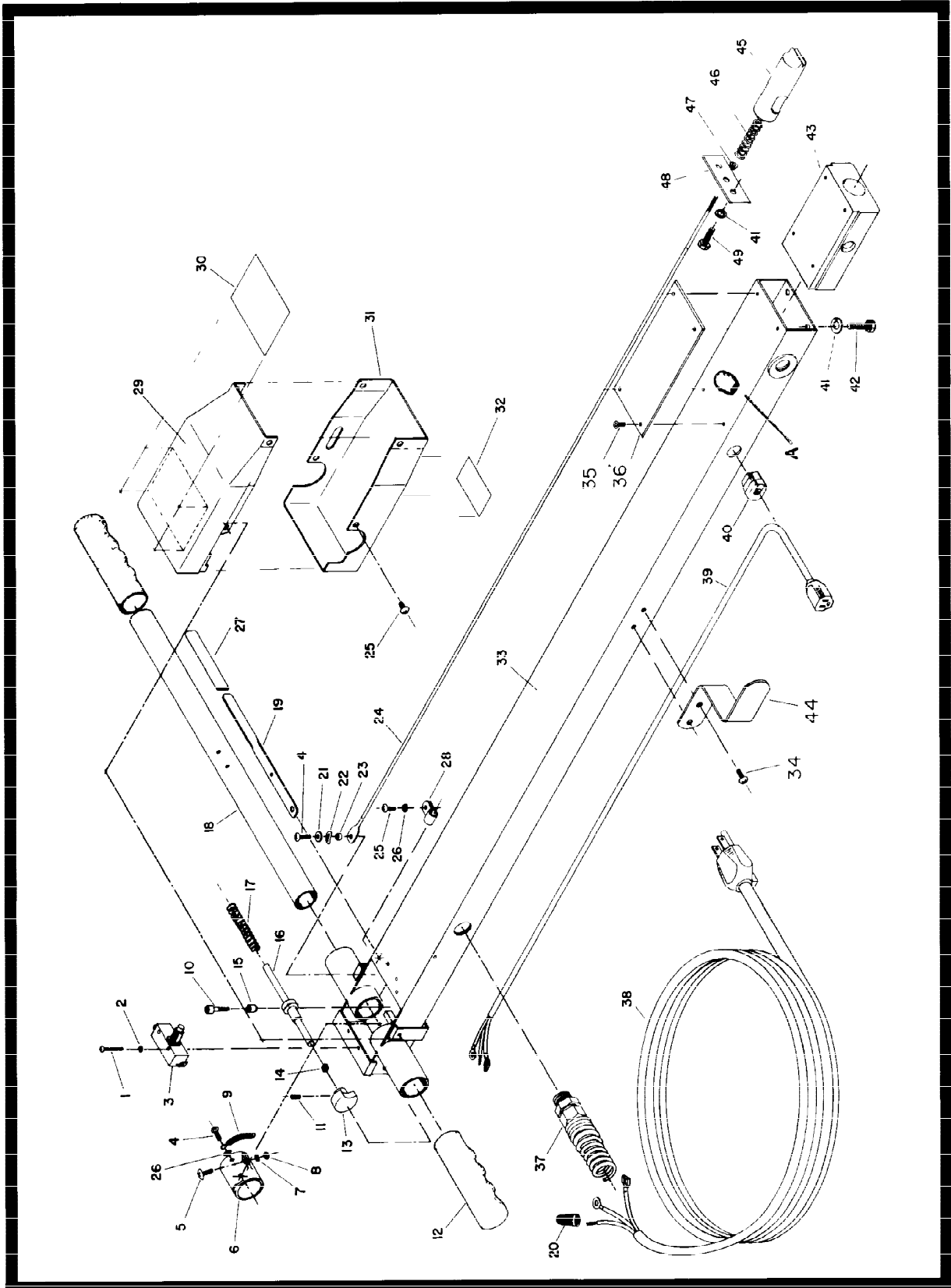
ELECTRICAL - 240 Volt

This machine is designed to operate on a standard 10 amp. 230 volt, 50 hz, AC circuit.

GROUNDING INSTRUCTIONS

- This floor finishing machine should be grounded while in use to protect the operator from electric shock. The machine is equipped with a three-conductor cord and a three-prong grounding type attachment plug to fit the proper grounding type receptacle. The green (or green and yellow) conductor in the cord is the grounding wire. Never connect this wire to other than the grounding blade.
- Floor Finishing Machines Rated Less Than 150 Volts - If the machine is provided with an attachment plug as shown in Sketch A it is intended for use on a 120-volt (nominal) circuit. If a properly grounded receptacle as shown in Sketch A is not available, an adapter as shown in Sketch C is available and should be installed as shown in Sketch B if the outlet box that houses the receptacle is grounded. Be sure to fasten the grounding tab with the faceplate screw.
- Floor Finishing Machines Rated 150-250 Volts - If the machine is provided with an attachment plug as shown in Sketch D, it is intended for use on a 240 volt (nominal) circuit. No adapter is available for this cap.





Handle Assembly

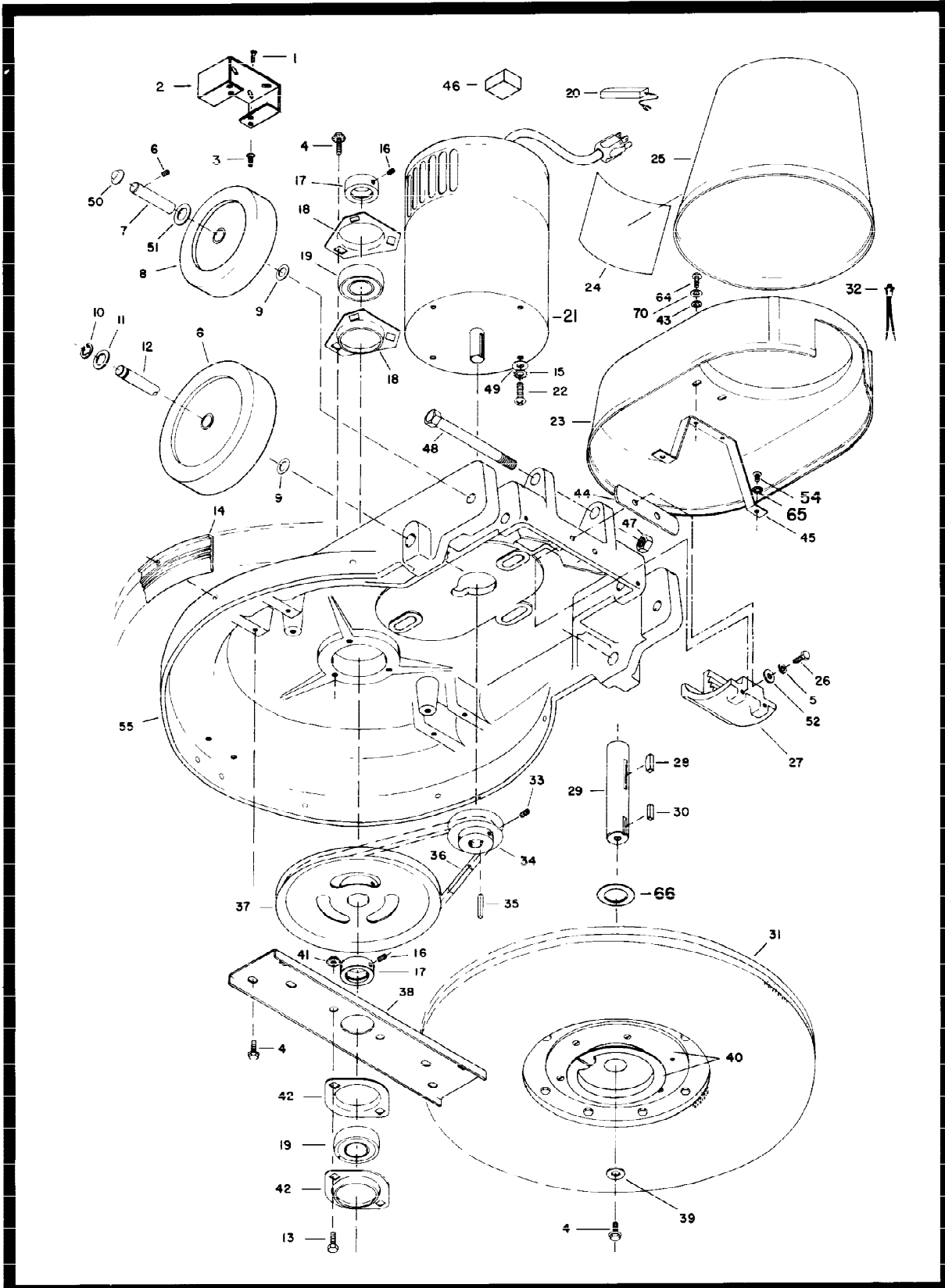
Item	Part No.	Qty.	Description	Item	Part No.	Qty.	Description
1	710207	2	SCR-MC 6-32 x .87 ST PL	26	711543	2	WSR, Helical SPR LOC #10
2	711551	2	WSR, Intri. Tooth LOC #6	27	762236	1	Grip, Lever
3	740029	1	Switch	28	381052	1	Retainer
4	710356	3	MCR-MC 10-32 x .62 ST PL	29	762126	1	Cover, SW Box Rear
5	710556	1	SCR-MC 10-32 x .75 ST PL	30	715062	1	Decal, Warning 2.50 x 3.50
6	762128	1	Lock	31	762125	1	Cover, Front ABS
7	711553	1	WSR, Internal Lock #10	32		1	Decal, Logo
8	711310	1	Hex-Nut 10-32 ST PL	33	750580	1	Handle Tube Weldment
9	762084	1	Spring	34	711125	2	SCR-ST-B #10 x .50
10	712041	1	BLT, SDER 1/4-20 x .56 x .37	35	711105	4	SCR-ST-A 10 x .50 NI
11			SCR, Set 8-32 x 1/8	36	762113	1	Stair Glide
12	762086	2	Grip, Handle	37	150003	1	Relief, Strain 100 x 50
13	762129	1	Button	38	150002	1	Black Cord Set, 14-3.50 ft.
14	762098	1	Bushing	38a	740600	1	Cord, International
15	762058	1	Spacer	39	762156	1	Cord, Handle
16	762143PLT	1	Pin, Switch LOC Zinc PLT	40	740108	1	Strain Relief
17	762103	1	Spring	41	711544	6	WSR, Helical SPR LOC 1/4
18	762067	1	Tube, Handle	42	711203	4	BLT, HH 1/4-20 x .62
19	762158PLT	1	Lever, Handle Release	43	762153	1	Guide, Handle Lock
20	740005	2	Cap, Wire 18-14 73B	44	762182	1	Hook, Cord
21	711503	1	WSR, Flat #10	45	762142PLT	1	Lock, Handle
22	711522	1	WSR, Wave 1/4	46	762149	1	Spring
23	762059	1	Bushing	47	762060	1	Bushing
24	762119	1	Cable	48	762159	1	Retainer
25	711124	2	SCR-ST-B 10 x .37 NI	49	711202	2	Bolt, 1/4-20 x .50 ST PL

4

ADJUSTING HANDLE ASSEMBLY

When the handle fails to respond to the tilt mechanism a simple adjustment is required.

1. Note whether the handle lock (P/N 762142PLT) is engaging the handle segment (P/N 762154 NIC PLT) or not.
2. Remove the handle from the machine.
3. Remove the stair glide (P/N 762113) (36) from the back of the handle.
4. Hold the handle release lever completely up.
5. With a pair of pliers, hold the cable thru hole A to prevent it from turning, as you turn the handle lock (45) in or out.



Base Assembly

Item	Part No.	Qty.	Description
1	711109	2	SCR-ST #12 x .50
2	760066	1	Adapter, Motor
3	710353	2	SCR-MC 10/32 x .37
4	712042	10	Bolt HH 5/16-18 x .62 SP
5	711544	8	WSR, Helical SPR LOC 1/4
6	711022	2	Screw, Set 1/4-20 .50
7	762221PLT	2	Axle .50 x 3.50 Zinc PLT
8	760064	4	Wheel 5-inch
9	711524	6	WSR, Wave #26 ST PL
10	711713	2	Retaining Ring-E EXT .50
11	711594	2	WSR, Flat .56 x .88 x .03 NKL
12	762217	1	Axle 18" Zinc Plated
13	711227	2	Bolt, 5/16-18 x 5/8
14	200004	2	Bumper
15	711555	4	Washer, Lock 3/8 International
16		2	SCR Set 1/4-28 x 5/16
17		2	Collar, LOC (not sold separately)
18	762112	2	Flangette 3 Point
19	762110	2	Bearing with LOC Collar
20	762160	4	Brush, Carbon Replacement
21	740205	1	Motor 1-1/2 H.P. DC REC
21a	832779		Motor 1.5 H.P. 230 Volt
22	710986	4	SCR-SC 3/8-16 x 1.00 ST PL
23	762124	1	Cover, Motor Lower
24		1	Decal, Logo
25	762123	1	Cover, Motor Upper
26	711207	6	BLT, HH 1/4-20 x 1.00
27	762154PLT	1	Segment, Handle NIC PLT
28	762120	1	Key, Woodruff 1/4 x 3/4
29	760029	1	Drive Shaft 303SS
30	760043	1	Key, .187 Sq. x .675 L
31	750076	1	Pad Driver Assembly
32	832859	1	Indicator Light 115V
32a	832860	1	Indicator Light 230V
34	830904	1	Pulley, Motor
35		1	Key, .187 Sq. x 1"
36	762116	1	Belt, Drive
37	762118	1	Pulley, Drive
38	762052	1	Bracket, Driver
39	711507	1	WSR, Flat 3/8 Area
40	762370	1	CTR, Device
41	711379	2	Flanged, WIZZ Nut 5/16-18
42	762114	2	Flangette 2 Point
43	711542	2	WSR, LOC #8
44	762259	1	Bracket Support
45	762242	1	Bracket, Cover
46	740202	1	Rectifier Bridge
47	711376	1	Nut-Nyloc 1/2-13
48	712012	1	BLT-HH 1/2-13 x 5 ST PL
49	711515	4	Washer, Flat .44 x .87 x .07
50	130032	2	Cap, Retainer
51	711579	4	Washer, Flat 9/16 x 1.00
52	711505	4	WSR, Flat 1/4
54	710355	4	SCR-MC 10-32 x .50 ST PL
55	762057PTD	1	Housing, Brush 20"
64	710329		SCR-MC 8-32 x .50 ST PL
65	711543	2	WSR, Helical SPR LOC #10
66	711526	2	WSR, Wave 1.05 ID x 1.351
70	711502	2	WSR, Flat #8

LIMITED WARRANTY

Minuteman International, Inc. warrants to the original purchaser/user that this product is free from defects in workmanship and materials under normal use and service for a period of three years from date of purchase. In addition, Minuteman International, Inc. will, at its option, honor labor warranty claims for the first 12 months from date of sale, provided such claims are submitted through and approved by factory authorized repair stations. Minuteman International, Inc. will, at its option, repair or replace without charge, except for transportation costs, parts that fail under normal use and service when operated and maintained in accordance with the applicable operation and instruction manuals.

This warranty does not apply to normal wear, or to items whose life is dependent on their use and care, such as belts, cords, switches, hoses, rubber parts, electrical motor components or adjustments. Parts not manufactured by Minuteman International, Inc. such as engines, batteries, battery chargers, hydraulic pumps, and tires are covered by and subject to the warranties and/or guarantees of their manufacturers. Please contact Minuteman International, Inc. for procedures in warranty claims against these manufacturers.

Special warning to purchaser -- Use of replacement filters and/or prefilters not manufactured by Minuteman International, Inc. or its designated licensees, will void all warranties expressed or implied.

A potential health hazard exists without exact original equipment replacement.

All warranted items become the sole property of Minuteman International, Inc. or its original manufacturer, whichever the case may be.

Minuteman International, Inc. disclaims any implied warranty, including the warranty of merchantability and the warranty of fitness for a particular purpose. Minuteman International, Inc. assumes no responsibility for any special, incidental or consequential damages.

This limited warranty is applicable only in the U.S.A. and Canada, and is extended only to the original user/purchaser of this product. Customers outside the U.S.A. and Canada should contact their local distributor for export warranty policies. Minuteman International, Inc. is not responsible for costs or repairs performed by persons other than those specifically authorized by Minuteman International, Inc. This warranty does not apply to damage from transportation, alterations by unauthorized persons, misuse or abuse of the equipment, use of non-compatible chemicals, or damage to property, or loss of income due to malfunctions of the product.

If a difficulty develops with this machine, you should contact the dealer from whom it was purchased.

This warranty gives you specific legal rights, and you may have other rights which vary from state to state. Some states do not allow the exclusion or limitation of special, incidental or consequential damages, or limitations on how long an implied warranty lasts, so the above exclusions and limitations may not apply to you.

Minuteman[®]

World Headquarters
Minuteman International, Inc.
111 South Rohlwing Road
Addison, Illinois 60101

(708) 627-6900
FAX (708) 627-1130

Minuteman Canada, Inc.
84-E Brunswick Blvd.
Dollard des Ormeaux
Quebec H9B 2C5

(514) 683-3880
FAX (514) 683-0809

986171
Printed in U.S.A.